

COMPACT, YET POWERFUL

The OWX-50 on-wall speaker offers performance and power in a compact design. Seamlessly integrating into any home cinema, the OWX-50 is the perfect choice for those who require high output from a small footprint.

A constant directivity horn and compression driver cleverly sit within the sleek and unobtrusive profile, while the square-shaped baffle allows extensive placement options with screen subwoofers.

With extensive output, dynamic range and consistent dispersion, the OWX-50 can be used as a screen, surround or overhead speaker, offering the benefit of positional flexibility without sacrificing performance.



OWX-50 front without grille



OWX-50 back with bracket



Adjustable bracket

Using the included bracket, the OWX-50 can be mounted flush against the wall or at adjustable angles up to 30 degrees for optimal sound dispersion.



High performance

A Krix constant directivity horn and compression driver deliver ultra-consistent dispersion and high output.



Compact design

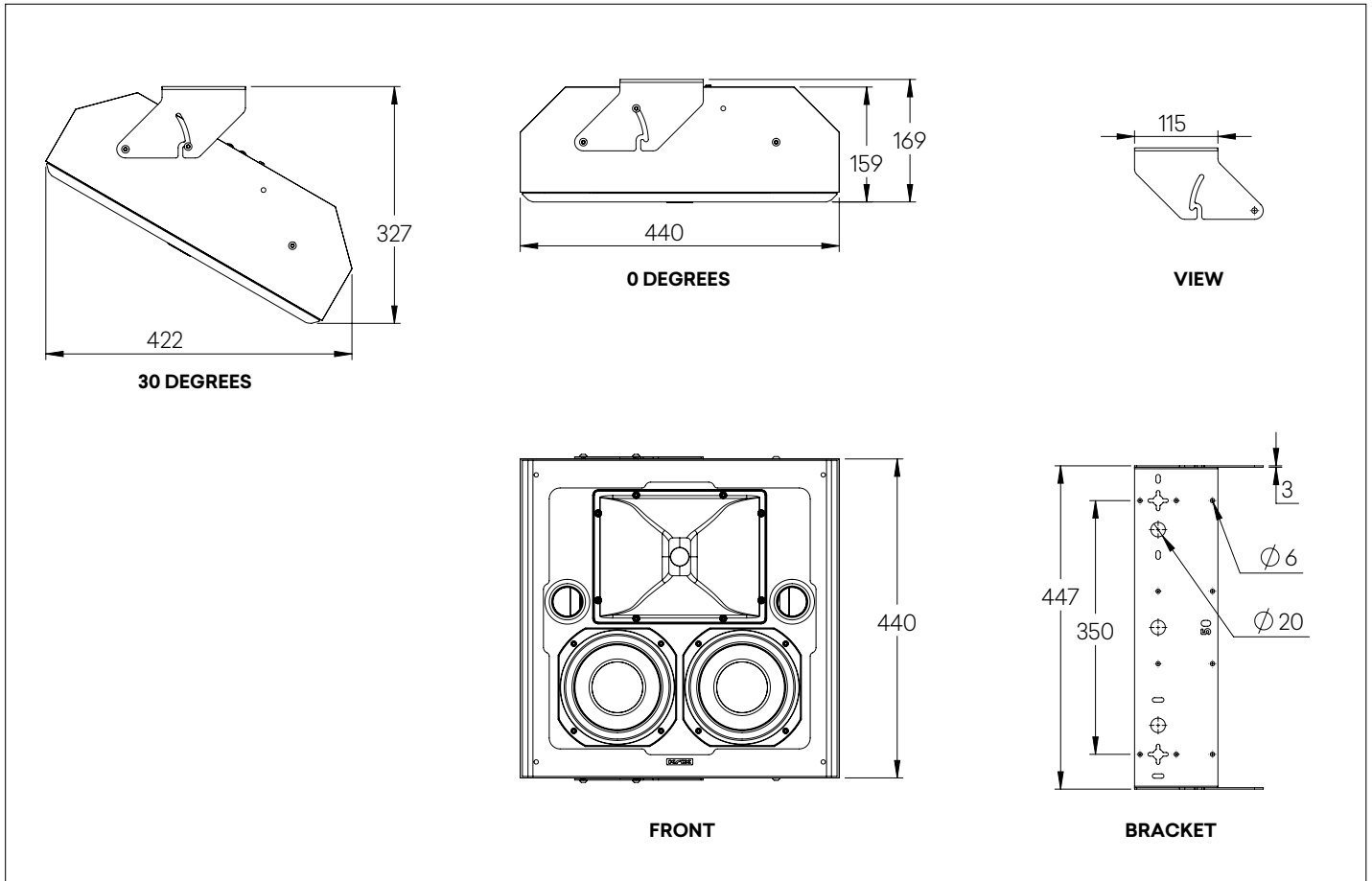
A sleek, compact and space-saving design that blends aesthetics with functionality, complete with an included grille.



Australian made

Krix has proudly engineered and manufactured speakers in Australia since 1974.

DIMENSIONS



OWX - 50		ENCLOSURE AND TERMINALS	
PERFORMANCE		DIMENSIONS	
Frequency range	60 Hz - 20 kHz (in room response)	Including grille	440mm high x 440mm wide x 159mm deep
Power handling	50 - 500 Watts RMS recommended amplifier power	Including bracket	447mm high x 440mm wide x 169mm deep
Sensitivity	97 dB (2.83V / 1m)	WEIGHT	
Impedance	4 Ohms	OWX-50 with grille	14.4 kg
Configuration	2-way	Bracket	1.7 kg
Crossover point	1.9 kHz	DRIVERS	
Low frequency driver		Dual 165mm (6 1/2") paper cone driver. 50mm (2") voice coil wound on high powered kapton former, with ventilated spider and aluminium flux stabilisation ring for low distortion.	
High frequency driver		A Krix patented, short throw constant directivity horn, coupled to a compression driver with a 1" throat 1 1/2" voice coil.	